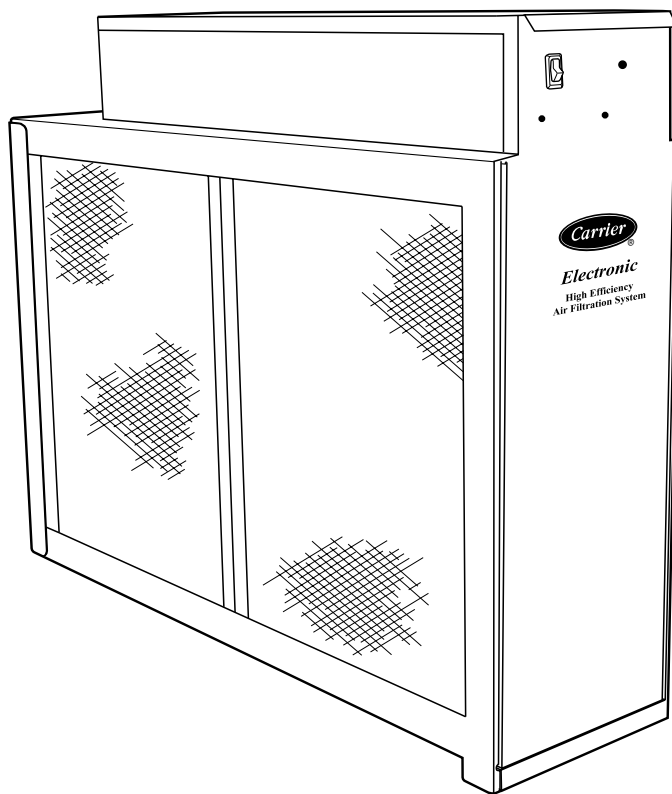




Product Data

EACA Electronic Air Cleaner

Sizes 0014, 0020 and 2020



This duct mounted electronic air cleaner is available in 1400 and 2000 CFM models. EACA also comes in 2 sizes (120-v) to meet your furnace needs or 1 size (240-v) for fan coil applications. Designed to remove airborne particles down to 0.01 microns in size, the EACA effectively removes such particles as dust, dirt, lint, and pollen from your customer's home.

The electronic components of the Model EACA convert the 120-v or 240-v power supply to a 6200-v VDC that imparts an electrical charge to airborne particles such as smoke, bacteria, pollen, and dust. This charge causes these particles to attach themselves to the charged collecting plates, thus cleaning the airstream.

The resulting high cleaning efficiency enables the EACA to also trap the smoke and extremely fine dust particles (from 0.01 to 5 microns in size) that are not removed by an ordinary throw-away-type filter. These ultrafine particles are the cause of most of the soil (smudging) of walls, draperies, curtains, etc.

The Model EACA is designed to adapt to various types of return-air duct systems and can be mounted in either a vertical or horizontal position.

FEATURES/BENEFITS

Compact — Three cabinet sizes meet most application requirements.

Fully Assembled — EACA unit is fully assembled and ready for installation.

Low Operating Costs — The monthly cost of operating these electronic air cleaner is less than that for a 60-watt light bulb.

Versatility — Airflow direction through the EACA can be reversed by simply reversing the prefilter and cell assemblies within the cabinet.

Easily Cleaned — Soak and rinse cells; vacuum prefilters.

Application Possibilities — Unit can be installed in a horizontal or vertical position, which makes it equally adaptable to basement, horizontal, downflow, or standard upflow

applications. Furnace can be mounted on top of air cleaner without adapters.

Solid-State Power Supply — Power supply is a highly reliable state-of-the-art, solid-state, high-voltage device.

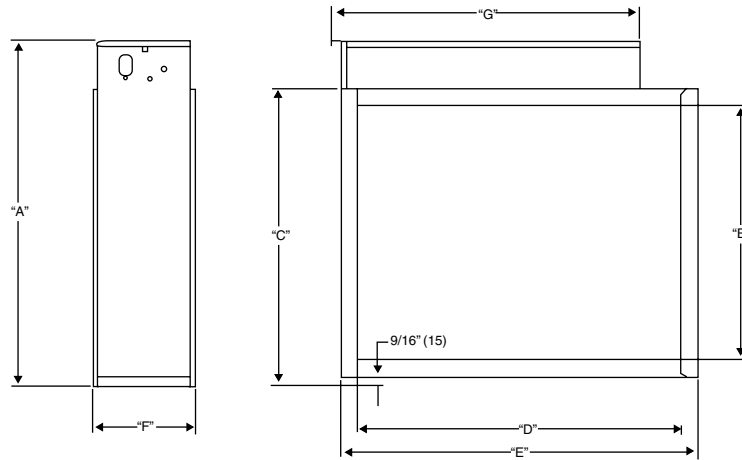
Durable Cabinet — Heavy-gage steel cabinet supports up to 400 lb when installed beneath an upflow furnace.

Agency Listed — Model EACA Electronic Air Cleaner is UL and cUL listed.

Financing — Eligible for consumer financing program.

Limited Warranty — Five-year warranty on the unit with a \$25 labor allowance for service calls within the first 120 days after installation; 5-year warranty on power supply with \$50 labor allowance, within the first 120 days.

Dimensions



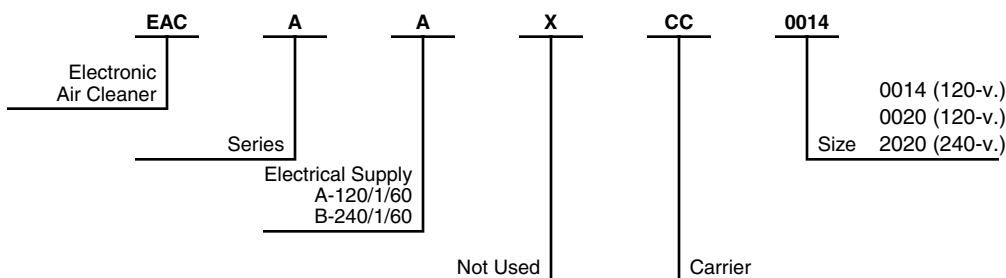
C02023

DIMENSIONS (In.)

MODEL	A	B	C	D	E	F	G
EACA-0014	20-1/4	13-7/8	16-15/16	22-1/2	24-7/8	7-1/8	21-7/16
EACA-0020	24-1/4	17-7/8	20-15/16	22-1/2	24-7/8	7-1/8	21-7/16
EACA-2020	24-1/4	17-7/8	20-15/16	19	21-3/8	7-1/8	18-5/8



Model number nomenclature



Performance data

MODEL	EACA-2020	EACA-0014	EACA-0020
Maximum Capacity	2000 CFM	1400 CFM	2000 CFM
Efficiency at Rated CFM	50% at 2000 CFM	68% at 1400 CFM	65% at 2000 CFM
Pressure Drop (in wc)	0.22 at 2000 CFM	0.11 at 1400 CFM	0.14 at 2000 CFM
Ozone Generation	Less than 25 ppb	Less than 25 ppb	Less than 25 ppb
Temperature Rating	32°F to 125°F	32°F to 125°F	32°F to 125°F
Input Volts	240	120	120
Input Hertz	50/60	50/60	50/60
Normal Operation Input Power (Watts)	18.5	18.5	23
Max Input Power (Watts)	40	40	48
Electrical Output	2.5 mA @ 6.2 kVDC	2.5 mA @ 6.2 kVDC	3.2 mA @ 6.2 kVDC

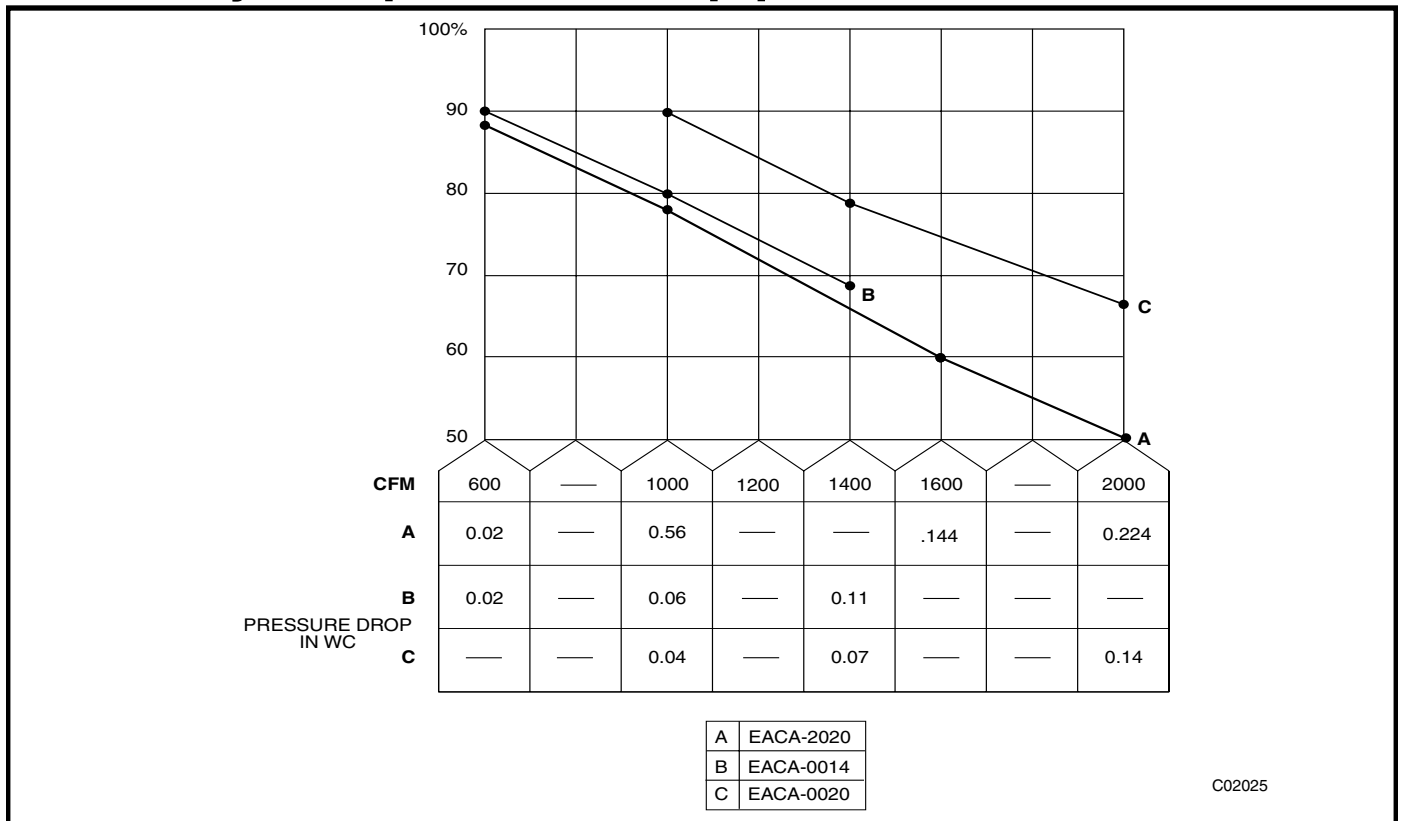
Physical data

MODEL	EACA-2020	EACA-0014	EACA-0020
Ionizer Wire Qty	13/cell	13/cell	13/cell
Cell Weight	9 lb/cell	10 lb/cell	12 lb/cell
Unit Weight	40 lb	41 lb	46 lb
Cabinet Construction	Epoxy powdered steel; supports 400 lbs	Epoxy powdered steel; supports 400 lbs	Epoxy powdered steel; supports 400 lbs
Power Supply Location	Top of unit	Top of unit	Top of unit
Prefilters	2	2	2
Airflow Sensor	Included	Field Installed Accessory	Field Installed Accessory

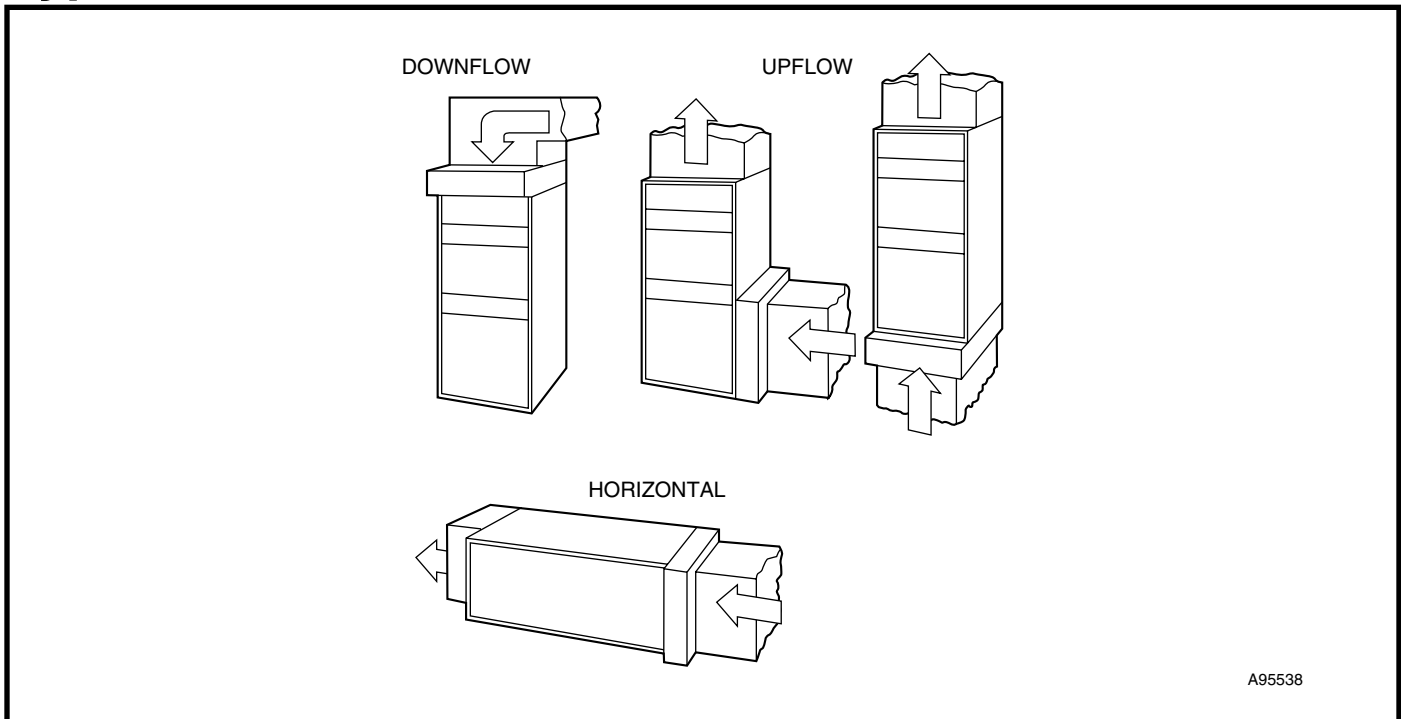
Accessories

MODEL	EACA-2020	EACA-0014	EACA-0020
Airflow Sensor	Factory Installed	KEBAC0101AAA (Field-Installed Kit)	KEBAC0101AAA (Field-Installed Kit)
Charcoal Filter	Accommodates 3/8-in. filter (Available through RCD)	Accommodates 3/8-in. filter (Available through RCD)	Accommodates 3/8-in filter (Available through RCD)

Efficiency and pressure drop performance chart



Typical installations



Air cleaner performance chart

Performance	STANDARD 1 IN. FILTER								
	GOOD MECHANICAL FILTER								
	FULL SIZE ELECTRONIC AIR CLEANER								
Living Airborne Organisms	BACTERIA								
	POLLEN								
	PLANT SPORES								
Smoke	COOKING SMOKE & GREASE								
	TOBACCO SMOKE								
	ATMOSPHERIC & HOUSEHOLD DUST								
Minerals	COAL DUST								
	ANIMAL DANDER								
	LINT								
	INSECTICIDE DUST								
Partical Size in Microns	10 Visible w/ Naked Eye	5	2	1	0.5 Visible w/Microscope	0.1	0.01 Visible w/Electron Microscope	0.001	
Particle Number	0.1%				19.9%		80%		
Particle Weight	70%				29%		1%		
Most Staining Effect									
Most Likely Retained in Lungs									
80% of Contamination									

A97233



Carrier

A United Technologies Company

Carrier Corporation • Indianapolis, IN 46231

7-03

Manufacturer reserves the right to discontinue, or change at any time, specifications or designs without notice and without incurring obligations.