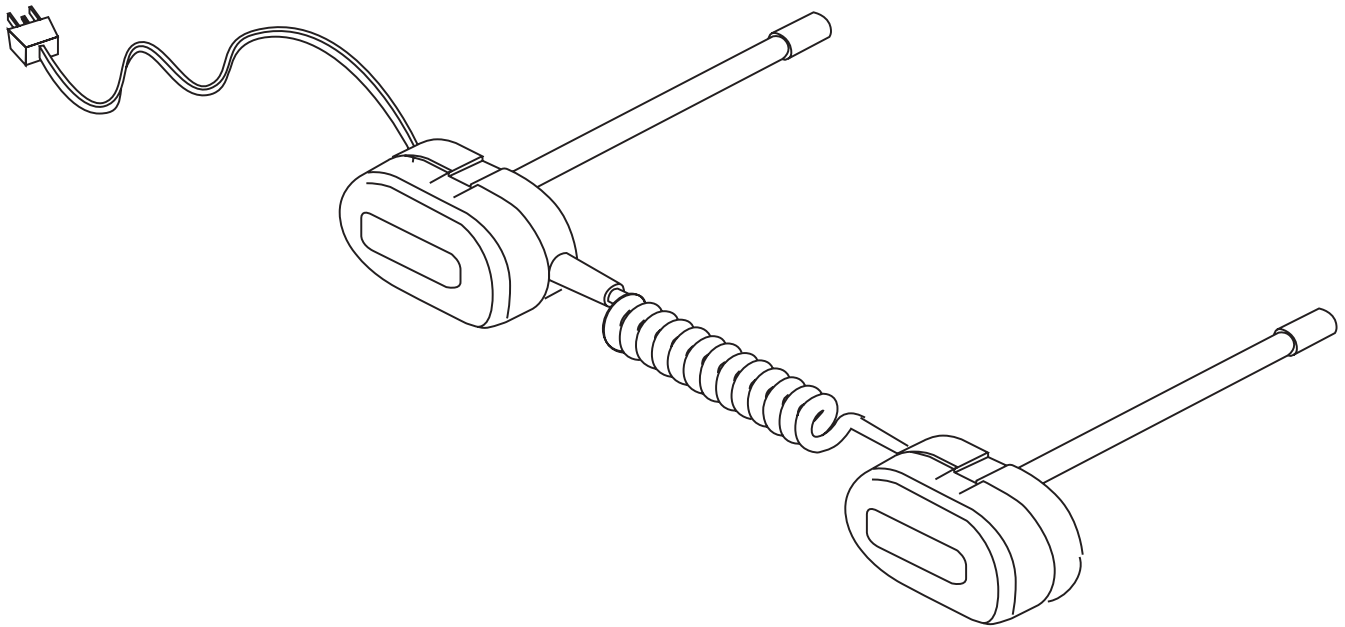




Product Data **UVL-Ultraviolet Germicidal Lamp**

Model 1 & 2 Lamp Systems
115-V & 208/230-V

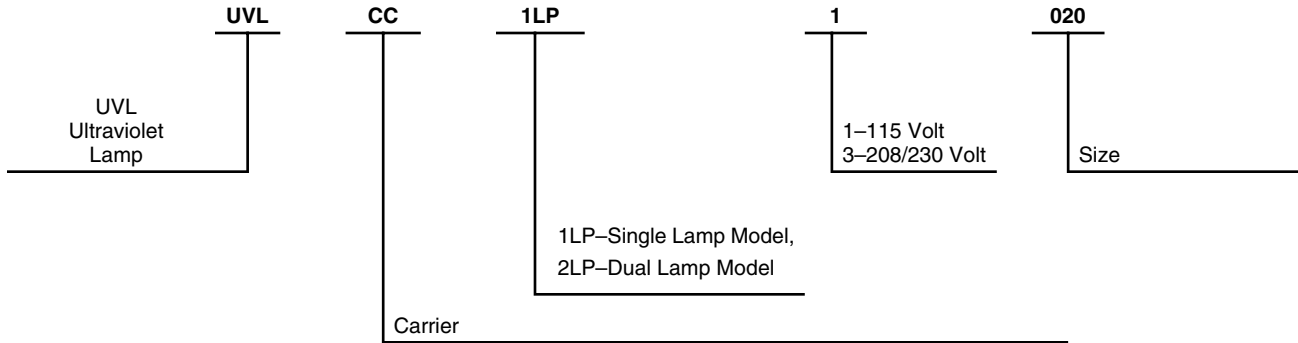


UVL Ultraviolet Lights

C03009

UVL-Ultraviolet Germicidal Lamp

Model number nomenclature



Model UVL

The UVL is designed to inhibit fungus and microbial growth when applied to the indoor coil/drain pan section of a central A/C system.

FEATURES/BENEFITS

FOUR MODELS OFFERED—Available in both single and dual lamp models in both 115-v and 208/230-v to meet needs in different applications.

CLEANER COIL AND IMPROVED INDOOR AIR QUALITY (IAQ)

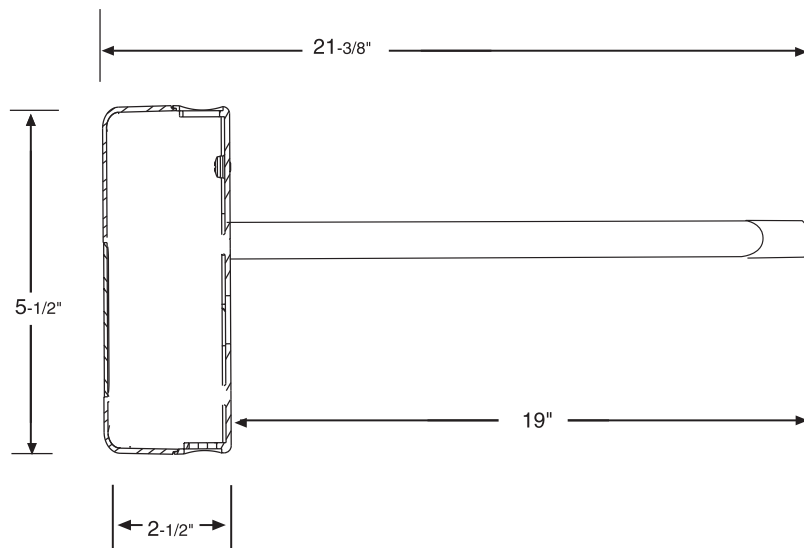
—The UV Lights work to clean the coil and prevent the growth of fungus on and around the coil by destroying the DNA of the fungus to kill or deactivate it.

TROUBLE-FREE INSTALLATION—One hole, 2 mounting screws per lamp and a power source are all that are needed to install.

NEARLY MAINTENANCE FREE OPERATION—The only maintenance required is replacing the lamp annually.

ZERO OZONE OPERATION—Carrier UV Lamp Systems do not produce ozone.

Dimensions



C03015

UVL

Physical data

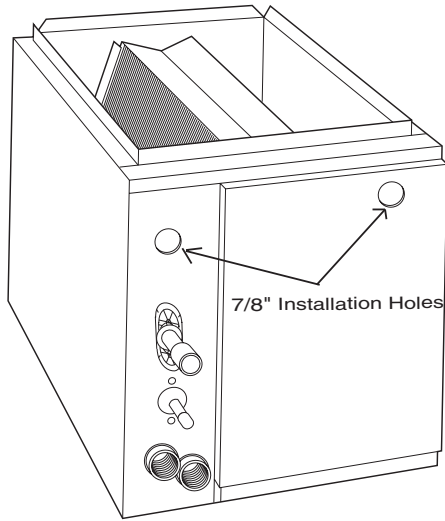
| SIZE | 1LP | 2LP | 1LP | 2LP |
|--|-------------|-------------|--------------|--------------|
| Electrical (V-PH-Hz) | 115-1-60 | 115-1-60 | 208/230-1-60 | 208/230-1-60 |
| Maximum Amperage Draw | 0.6 Amps | 1.1 Amps | 0.3 Amps | 0.6 Amps |
| Average Power Consumption | 27 Watts | 53 Watts | 27 Watts | 53 Watts |
| Unit Power Cord (included) with ground pin plug | 6 foot cord | 6 foot cord | 6 foot cord | 6 foot cord |
| Initial UVC Output at 1 Meter (in microwatts per square centimeter and 70 Deg F) and 450 FPM Airflow | 105 | 198 | 105 | 198 |
| Average Lamp Life | 1 Year | 1 Year | 1 Year | 1 Year |
| Lamp Length | 19-in. | 19-in. | 19-in. | 19-in. |

Replacement Lamps

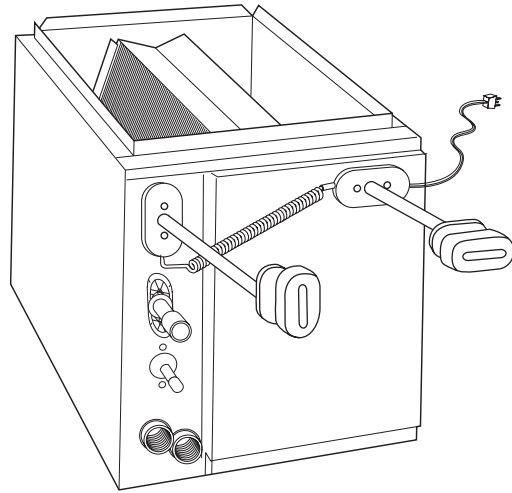
| REPLACEMENT LAMP ORDER NUMBERS | | |
|--------------------------------|--------------|--------------|
| Quantity | Lamp Voltage | ODS Number |
| 1 Lamp/Ballast Assembly | 115-1-60 | UVLXXRPL1020 |
| 1 Lamp/Ballast Assembly | 208/230-1-60 | UVLXXRPL3020 |



Typical Installation



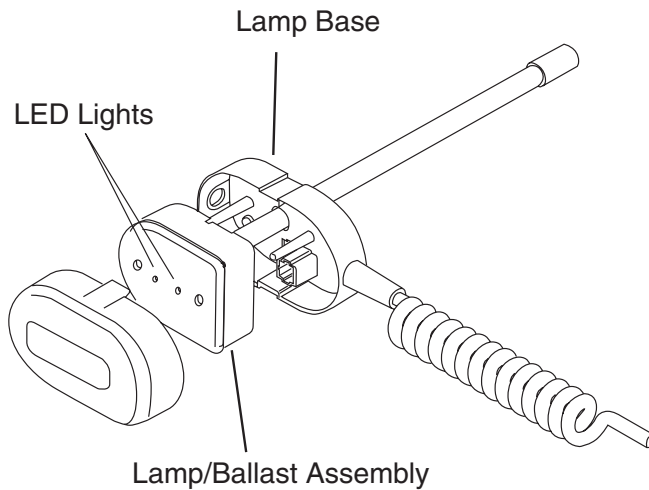
Step 1- Drill or cut 7/8-in hole



Step 2-Mount Base and Slide Bulb Assembly into position, Then Replace Cover

C04013

Typical Bulb Assembly Change



Note: LED Lights are not lamp change indicators.
Lamps should be changed annually.

C03004

