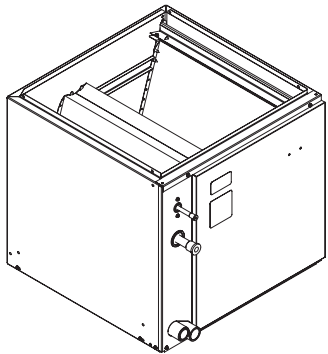
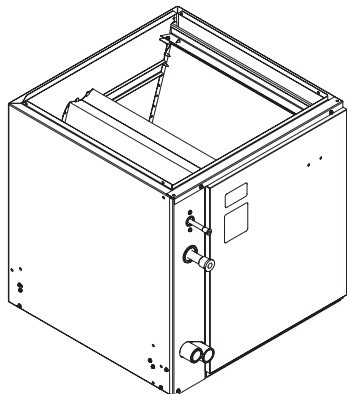


Product Data



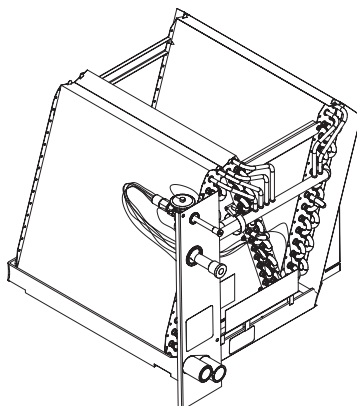
CNPVP

A06008



CNPVT

A06007



CNPVU

A06004

This vertical design N-coil is a furnace coil designed to provide the highest standards of reliability and durability. The coils are available for use in Puron®, the environmentally-friendly refrigerant, and R-22 systems.

Both designs have a painted case (Taupe Metallic) and come with factory-installed thermostatic expansion valves (TXV). The coils are offered in different width configurations for use in multiple installation applications. Additionally, they are offered in a transition configuration, a design which simplifies having to make a field-supplied transition duct configuration. Easy maintenance is provided as the coil slides out of the cabinet after removing the access door and service panel. The coils are available in sizes 018 through 060 (1-1/2 to 5 tons).

Both the CNPVP and CNRVP are available in tin-plated copper coil models. These coils are built with special hairpins which are tin-plated to resist both general pitting corrosion and excessive indoor corrosion-Formicary Corrosion. (Formicary Corrosion is an industry phenomenon.)

STANDARD FEATURES

Water Management -These coil designs do an excellent job of water management. The coils are designed to avoid water blow-off into the ducts by directing condensate away from the fins and into the drain pan.

Durable Condensate Pan — Each coil is equipped with a corrosion-resistant condensate drain pan. The condensate drain pan is designed with a slope to help ensure proper drainage, improved moisture removal, and home comfort.

Compact Design — Unique design offers as much as 2-4 inches less in height to aid in tight installations.

Brass Inserts — Every condensate pan features two 3/4 in. female threaded brass insert connections. The unique brass inserts provide for a leak-free condensate line connection to prevent water damage.

Refrigerant Connections — The coils are provided with proven sweat-connections for leak-free operation maintaining system reliability.

Burst Pressures — These coils meet or exceed burst pressure of 2100 psi which is at least three to five times the pressure they will see in actual application.

Thermostatic Expansion Valves (TXV) — All the Carrier coils have refrigerant-specific factory-installed TXVs. These TXVs come with mechanical connections to the coil for easy change out in the field, without use of braze equipment.

Teflon Ring — The ring, installed inside the liquid line connection at the TXV, is the best option for preventing refrigerant leaks and future service calls. Teflon works with both Puron® and R-22 refrigerant.

Protective Tube Sheets — Protect the durable copper tubing from being damaged during the manufacturing and installation process.

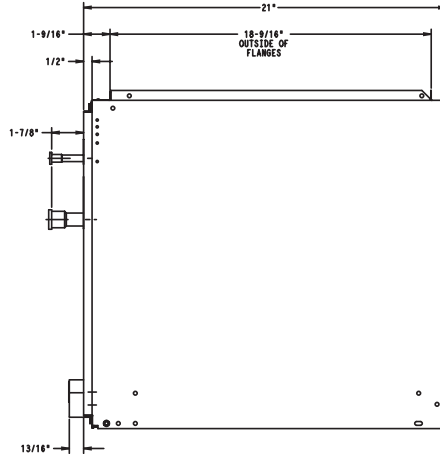
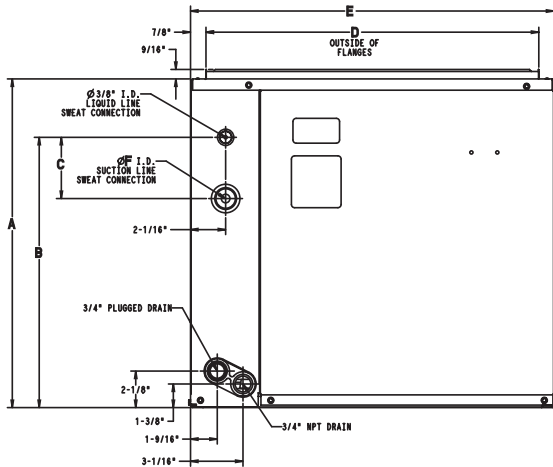
Warranty — All Carrier coils feature a limited 5-year warranty on parts, with additional extended warranties available for the system. The “tin plated copper coil” models come with a limited 10-year warranty on the coil.

MODEL NUMBER NOMENCLATURE

1	2	3	4	5	6-7	8-9	10	11	12
C	N	P	V	P	18	14	A	C	A
Component	Coil Type	Refrigerant Type	Coil Configuration	Cabinet Finish	Unit Capacity	Cabinet Width	Revision Level	Tubing Design	Variations
C – Coil	N – N Coil	P – Puron TXV R – R-22 TXV	V – Upfl./Dnfl.	P – Painted U – Uncased T – Transition	18 – 1 1/2 Ton 24 – 2 Ton 30 – 2 1/2 Ton 36 – 3 Ton 42 – 3 1/2 48 – 4 Ton 60 – 5 Ton	14 – 14 in. 17 – 17 in. 21 – 21 in. 24 – 24 in.	A – Revision	C – Copper T – Tin-plated Copper	A – Basic

CNPVP / CNRVP / CNPVU / CNRVU



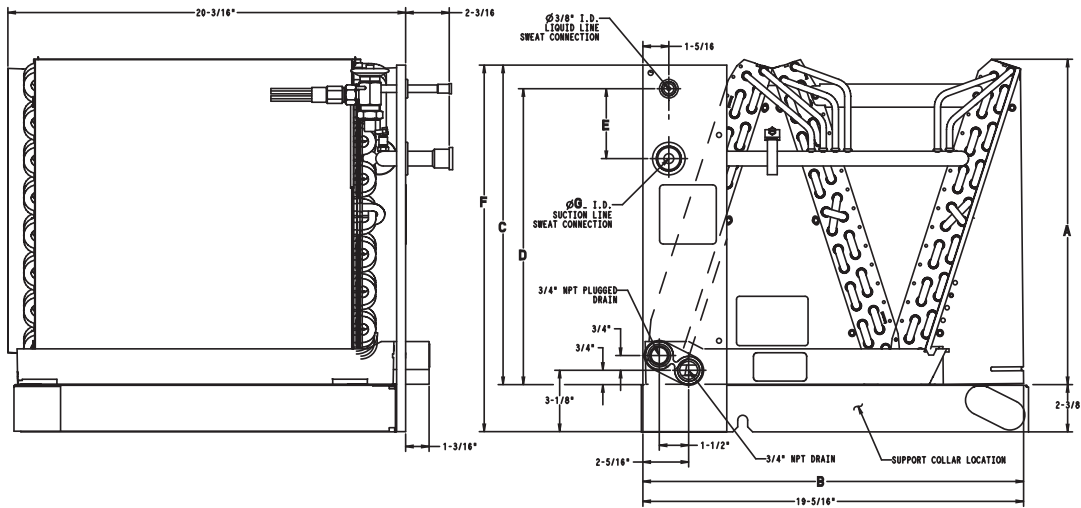


A05429

CNPVP / CNRVP / CNPVU / CNRVU

DIMENSIONS

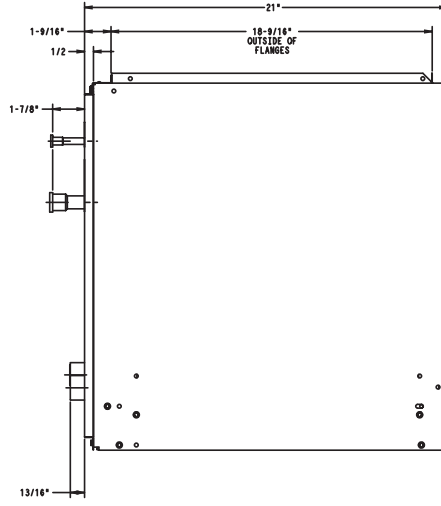
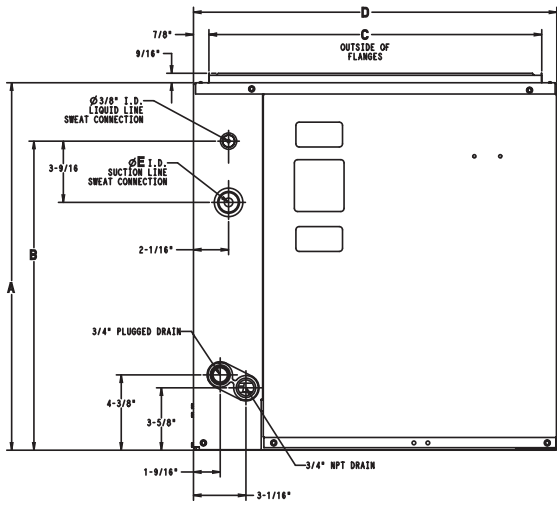
UNIT	SERIES	A (IN.)	B (IN.)	C (IN.)	D (IN.)	E (IN.)	F (IN.)	SHIPPING WT. (LBS.) (NON-COATED HAIRPINS)	SHIPPING WT. (LBS.) (TIN-COATED HAIRPINS)
CN(P,R)VP1814A(C,T)A	A	12-5/8	10-1/16	5-5/16	12-1/2	14-3/16	5/8	36.0	38.5
CN(P,R)VP2414A(C,T)A	A	14-5/8	12-1/16	5-5/16	12-1/2	14-3/16	5/8	39.5	40.0
CN(P,R)VP2417A(C,T)A	A	14-5/8	10-1/16	3-9/16	15-3/4	17-1/2	5/8	39.5	42.5
CN(P,R)VP3014A(C,T)A	A	17	13-5/8	5-5/16	12-1/2	14-3/16	3/4	46.5	50.0
CN(P,R)VP3017A(C,T)A	A	17	13-7/8	3-9/16	15-3/4	17-1/2	3/4	47.0	49.5
CN(P,R)VP3617A(C,T)A	A	17	13-7/8	3-9/16	15-3/4	17-1/2	3/4	48.5	51.0
CN(P,R)VP3621A(C,T)A	A	17	13-9/16	3-9/16	19-1/4	21	3/4	48.0	51.0
CN(P,R)VP4221A(C,T)A	A	19	15-5/8	3-9/16	19-1/4	21	7/8	56.5	59.5
CN(P,R)VP4821A(C,T)A	A	22-1/16	17-1/2	3-9/16	19-1/4	21	7/8	65.5	68.5
CN(P,R)VP4824A(C,T)A	A	22-1/16	17-1/4	3-9/16	22-3/4	24-1/2	7/8	62.0	65.0
CN(P,R)VP6024A(C,T)A	A	26-7/8	17-15/16	3-9/16	22-3/4	24-1/2	7/8	78.0	80.5



A05434

DIMENSIONS

UNIT	SERIES	A (IN.)	B (IN.)	C (IN.)	D (IN.)	E (IN.)	F (IN.)	G (IN.)	SHIPPING WT. (LBS.)
CN(P,R)VU1814ACA	A	10-7/8	12-1/2	10-5/8	9-3/8	5-5/16	13	5/8	17.0
CN(P,R)VU2414ACA	A	12-7/8	12-9/16	12-5/8	11-7/16	5-5/16	15	5/8	21.0
CN(P,R)VU3014ACA	A	14-7/8	12-5/8	14-3/16	13	5-5/16	16-9/16	3/4	23.0
CN(P,R)VU3617ACA	A	14-11/16	15-15/16	14-7/16	13-1/4	3-9/16	16-13/16	3/4	26.0
CN(P,R)VU4221ACA	A	16-1/2	19-5/16	16-3/16	15	3-9/16	18-9/16	7/8	29.0
CN(P,R)VU4821ACA	A	20-9/16	19-5/16	18-1/16	16-7/8	3-9/16	20-7/16	7/8	33.0
CN(P,R)VU6024ACA	A	24-3/8	22-7/8	18-1/2	17-5/16	3-9/16	20-7/8	7/8	35.0



A05431

CNPVP / CNRVP / CNPVU / CNRVU

DIMENSIONS

UNIT	SERIES	A (IN.)	B (IN.)	C (IN.)	D (IN.)	E (IN.)	SHIPPING WT. (LBS.) (NON-COATED HAIRPINS)	SHIPPING WT. (LBS.) (TIN-COATED HAIRPINS)
CN(P,R)VT3617A(C,T)A	A	19-13/16	16-1/8	15-3/4	17-1/2	3/4	48.5	51.0
CN(P,R)VT4221A(C,T)A	A	21-13/16	17-7/8	19-1/4	21	7/8	62.0	64.5
CN(P,R)VT4821A(C,T)A	A	24-7/8	19-3/4	19-1/4	21	7/8	71.0	73.5
CN(P,R)VT6024A(C,T)A	A	29-1/8	20-3/16	22-3/4	24-1/2	7/8	78.0	80.5

PERFORMANCE DATA

COOLING CAPACITIES (MBH) - Puron

CNPV UNIT SIZE	INDOOR COIL AIR		SATURATED TEMPERATURE LEAVING EVAPORATOR (°F)														
			30			35			40			45			50		
	CFM	EWB	TC	SHC	BF	TC	SHC	BF	TC	SHC	BF	TC	SHC	BF	TC	SHC	BF
1814	450	72	31.00	15.20	0.00	28.60	13.90	0.00	25.80	12.50	0.00	22.80	11.10	0.00	19.30	9.60	0.00
		67	26.00	15.70	0.00	23.50	14.30	0.01	20.70	12.80	0.01	17.60	11.30	0.01	14.10	9.80	0.01
		62	21.50	16.00	0.01	18.90	14.50	0.01	16.10	13.00	0.01	13.00	11.50	0.01	10.10	10.10	0.03
	600	72	38.30	18.70	0.00	35.30	17.10	0.00	32.00	15.50	0.00	28.20	13.80	0.00	23.90	12.00	0.01
		67	32.30	19.50	0.01	29.20	17.80	0.02	25.70	16.10	0.02	21.80	14.30	0.02	17.50	12.40	0.02
		62	26.70	20.10	0.02	23.50	18.40	0.02	20.00	16.60	0.02	16.20	14.80	0.02	12.90	12.90	0.06
	750	72	44.30	21.50	0.00	40.90	19.90	0.00	37.00	18.10	0.00	32.70	16.10	0.02	27.70	14.00	0.02
		67	37.40	22.80	0.03	33.90	20.90	0.03	29.90	19.00	0.03	25.40	16.90	0.03	20.40	14.70	0.04
		62	31.10	23.80	0.04	27.40	21.80	0.04	23.40	19.80	0.04	19.10	17.70	0.04	15.60	15.60	0.10
2414 2417	600	72	39.00	19.00	0.00	36.00	17.50	0.00	32.70	15.90	0.00	28.80	14.10	0.00	24.60	12.30	0.01
		67	32.80	19.80	0.01	29.80	18.20	0.01	26.30	16.40	0.01	22.40	14.60	0.02	18.10	12.60	0.02
		62	27.20	20.50	0.02	24.00	18.70	0.02	20.50	16.90	0.02	16.60	15.00	0.02	13.10	13.10	0.05
	800	72	47.10	22.80	0.00	43.60	21.10	0.00	39.60	19.30	0.00	35.00	17.30	0.02	29.90	15.10	0.02
		67	39.80	24.20	0.03	36.10	22.30	0.03	32.00	20.30	0.03	27.30	18.10	0.03	22.00	15.90	0.03
		62	33.10	25.40	0.03	29.30	23.40	0.03	25.10	21.20	0.03	20.50	19.00	0.04	16.70	16.70	0.09
	1000	72	53.40	25.90	0.00	49.50	24.20	0.00	45.10	22.10	0.02	40.00	19.90	0.03	34.10	17.50	0.04
		67	45.30	27.90	0.05	41.20	25.90	0.05	36.60	23.70	0.05	31.30	21.30	0.05	25.20	18.70	0.05
		62	37.80	29.60	0.05	33.60	27.40	0.05	28.80	25.10	0.05	23.80	22.70	0.06	20.00	20.00	0.13
3014 3017	750	72	48.00	23.50	0.00	44.00	21.40	0.00	39.70	19.20	0.00	34.80	17.00	0.00	29.40	14.60	0.01
		67	40.30	24.20	0.01	36.20	22.00	0.02	31.80	19.70	0.02	26.80	17.40	0.02	21.40	15.00	0.02
		62	33.20	24.80	0.02	29.10	22.50	0.02	24.60	20.20	0.02	19.90	17.90	0.02	15.60	15.60	0.05
	1000	72	58.70	28.50	0.00	53.90	26.10	0.00	48.50	23.60	0.00	42.50	20.90	0.02	35.80	18.10	0.03
		67	49.40	29.90	0.03	44.40	27.30	0.03	38.90	24.60	0.04	32.90	21.70	0.04	26.20	18.80	0.04
		62	40.80	30.90	0.04	35.80	28.20	0.04	30.30	25.40	0.04	24.60	22.60	0.05	19.90	19.90	0.10
	1250	72	67.40	32.70	0.00	61.90	30.10	0.00	55.70	27.30	0.02	48.80	24.20	0.04	41.10	21.00	0.05
		67	56.80	34.70	0.05	51.20	31.80	0.06	44.90	28.70	0.06	37.80	25.50	0.06	30.10	22.20	0.06
		62	47.10	36.30	0.06	41.30	33.20	0.06	35.00	30.10	0.06	28.60	27.00	0.07	23.70	23.70	0.14
3617 3621 T3617	900	72	58.10	28.30	0.00	53.40	25.90	0.00	48.00	23.30	0.00	42.10	20.60	0.01	35.50	17.80	0.02
		67	48.90	29.50	0.02	44.00	26.90	0.03	38.50	24.20	0.03	32.50	21.30	0.03	25.90	18.40	0.03
		62	40.40	30.40	0.03	35.40	27.70	0.03	29.90	24.90	0.03	24.20	22.10	0.04	19.40	19.40	0.08
	1200	72	70.00	33.90	0.00	64.30	31.20	0.00	57.80	28.30	0.02	50.70	25.10	0.04	42.70	21.80	0.05
		67	58.90	35.90	0.05	53.10	32.90	0.05	46.50	29.70	0.05	39.30	26.40	0.06	31.20	22.90	0.06
		62	48.80	37.50	0.06	42.80	34.30	0.06	36.30	31.00	0.06	29.60	27.80	0.06	24.40	24.40	0.13
	1500	72	79.30	38.60	0.00	72.90	35.60	0.02	65.70	32.30	0.05	57.50	28.80	0.06	48.50	25.10	0.07
		67	67.00	41.30	0.08	60.40	38.00	0.08	53.00	34.40	0.08	44.70	30.70	0.08	35.50	26.80	0.09
		62	55.70	43.60	0.09	48.80	40.00	0.09	41.60	36.50	0.09	34.20	32.90	0.10	28.80	28.80	0.18
4221 4224 T4221	1050	72	74.40	36.30	0.00	68.10	33.10	0.00	61.20	29.70	0.00	53.50	26.20	0.01	45.00	22.60	0.02
		67	62.30	37.60	0.02	56.00	34.20	0.03	48.90	30.60	0.03	41.20	27.00	0.03	32.80	23.30	0.03
		62	51.40	38.60	0.03	44.90	35.00	0.03	37.90	31.40	0.03	30.60	27.80	0.04	24.40	24.40	0.08
	1400	72	90.20	43.80	0.00	82.60	40.10	0.00	74.10	36.20	0.01	64.70	32.00	0.04	54.40	27.60	0.05
		67	75.80	46.00	0.05	68.00	42.00	0.05	59.40	37.70	0.06	50.00	33.40	0.06	39.60	28.90	0.06
		62	62.60	47.70	0.06	54.70	43.50	0.06	46.20	39.20	0.06	37.50	35.00	0.07	30.70	30.70	0.13
	1750	72	103.00	50.00	0.00	94.30	46.00	0.00	84.60	41.50	0.05	73.90	36.80	0.06	62.00	32.00	0.07
		67	86.70	53.10	0.08	77.80	48.60	0.08	68.00	43.90	0.08	57.10	39.00	0.08	45.20	33.90	0.09
		62	71.70	55.70	0.09	62.70	50.90	0.09	53.10	46.20	0.09	43.40	41.50	0.10	36.30	36.30	0.18
4821 4824 T4821	1200	72	79.30	38.70	0.00	72.90	35.40	0.00	65.70	31.90	0.00	57.70	28.20	0.00	48.80	24.40	0.01
		67	66.60	40.20	0.02	60.00	36.60	0.02	52.70	32.90	0.02	44.60	29.10	0.02	35.70	25.10	0.03
		62	55.00	41.30	0.03	48.30	37.60	0.03	40.90	33.80	0.03	33.10	30.00	0.03	26.30	26.30	0.07
	1600	72	96.00	46.60	0.00	88.30	42.90	0.00	79.60	38.90	0.00	69.90	34.50	0.03	59.10	30.00	0.04
		67	80.90	49.20	0.04	72.90	45.00	0.04	64.10	40.70	0.05	54.20	36.10	0.05	43.30	31.40	0.05
		62	67.00	51.20	0.05	58.80	46.80	0.05	49.90	42.30	0.05	40.70	37.90	0.05	33.30	33.30	0.11
	2000	72	109.40	53.10	0.00	100.70	49.10	0.00	90.90	44.60	0.03	79.90	39.80	0.05	67.50	34.70	0.06
		67	92.40	56.70	0.06	83.40	52.20	0.07	73.30	47.40	0.07	62.00	42.20	0.07	49.50	36.90	0.07
		62	76.70	59.70	0.07	67.50	54.90	0.08	57.40	49.90	0.08	47.20	44.90	0.08	39.50	39.50	0.16
6024 T6024	1600	72	103.20	50.40	0.00	94.40	45.90	0.00	84.80	41.10	0.00	74.10	36.30	0.00	62.40	31.20	0.02
		67	86.40	52.10	0.02	77.50	47.20	0.02	67.80	42.30	0.02	57.10	37.20	0.03	45.40	32.10	0.03
		62	71.20	53.30	0.03	62.20	48.30	0.03	52.40	43.30	0.03	42.30	38.30	0.03	33.50	33.50	0.07
	2000	72	120.70	58.70	0.00	110.40	53.60	0.00	99.00	48.20	0.00	86.40	42.50	0.02	72.60	36.70	0.03
		67	101.20	61.30	0.03	90.70	55.70	0.04	79.20	50.00	0.04	66.60	44.10	0.04	52.80	38.10	0.05
		62	83.40	63.20	0.05	72.80	57.40	0.05	61.40	51.60	0.05	49.70	46.00	0.05	40.30	40.30	0.11
	2400	72	135.60	65.80	0.00	124.10	60.30	0.00	111.20	54.40	0.01	97.00	48.00	0.04	81.30	41.50	0.05
		67	113.90	69.30	0.05	102.10	63.20	0.06	89.10	56.90	0.06	74.80	50.30	0.06	59.20	43.60	0.06
		62	94.10	72.10	0.06	82.10	65.70	0.06	69.30	59.30	0.06	56.40	53.00	0.07	46.50	46.50	0.14

See notes on page 8.

PERFORMANCE DATA

COOLING CAPACITIES (MBH) - R-22

CNRV UNIT SIZE	INDOOR COIL AIR		SATURATED TEMPERATURE LEAVING EVAPORATOR (°F)														
			30			35			40			45			50		
	CFM	EWB	TC	SHC	BF	TC	SHC	BF	TC	SHC	BF	TC	SHC	BF	TC	SHC	BF
1814	450	72	28.60	13.90	0.00	26.60	12.90	0.00	24.20	11.80	0.00	21.60	10.60	0.00	18.60	9.40	0.00
		67	24.20	14.80	0.01	22.10	13.70	0.01	19.70	12.50	0.01	16.80	11.20	0.01	13.50	9.70	0.01
		62	20.20	15.50	0.01	18.00	14.30	0.01	15.40	13.00	0.01	12.50	11.70	0.01	10.20	10.20	0.08
	600	72	33.70	16.40	0.00	31.40	15.30	0.00	28.70	14.10	0.00	25.60	12.80	0.01	22.00	11.40	0.01
		67	28.70	17.80	0.02	26.20	16.60	0.02	23.40	15.30	0.02	20.10	13.80	0.02	16.30	12.20	0.02
		62	24.00	19.00	0.02	21.50	17.80	0.02	18.60	16.40	0.02	15.40	14.80	0.03	13.00	13.00	0.12
	750	72	37.50	18.40	0.01	35.00	17.30	0.01	32.10	16.00	0.02	28.70	14.60	0.02	24.60	13.00	0.03
		67	32.00	20.30	0.03	29.40	19.10	0.03	26.20	17.70	0.03	22.60	16.10	0.03	18.60	14.40	0.03
		62	26.90	22.10	0.03	24.20	20.80	0.04	21.10	19.30	0.04	17.90	17.70	0.05	15.40	15.40	0.16
2414 2417	600	72	34.60	16.80	0.00	32.30	15.70	0.00	29.60	14.60	0.00	26.50	13.20	0.00	22.90	11.80	0.01
		67	29.40	18.30	0.01	27.00	17.10	0.01	24.20	15.70	0.01	20.90	14.30	0.01	17.10	12.60	0.02
		62	24.70	19.50	0.02	22.20	18.30	0.02	19.30	16.80	0.02	16.00	15.30	0.02	13.40	13.40	0.10
	800	72	39.50	19.40	0.01	37.10	18.40	0.01	34.20	17.10	0.02	30.70	15.70	0.02	26.60	14.10	0.02
		67	33.90	21.60	0.03	31.20	20.40	0.03	28.00	19.00	0.03	24.30	17.40	0.03	20.10	15.60	0.03
		62	28.60	23.70	0.03	25.80	22.30	0.03	22.60	20.80	0.04	19.30	19.10	0.05	16.80	16.80	0.16
	1000	72	43.20	21.50	0.03	40.60	20.50	0.04	37.50	19.20	0.04	33.80	17.70	0.04	29.30	16.00	0.04
		67	37.10	24.50	0.05	34.30	23.20	0.05	30.90	21.80	0.05	26.80	20.10	0.05	22.20	18.20	0.05
		62	31.50	27.30	0.05	28.60	25.90	0.05	25.30	24.30	0.06	22.30	22.30	0.11	19.60	19.60	0.21
3014 3017	750	72	45.90	22.30	0.00	42.50	20.60	0.00	38.60	18.80	0.00	34.10	16.80	0.01	28.60	14.60	0.01
		67	38.90	23.70	0.02	35.30	21.90	0.02	31.00	19.80	0.02	26.00	17.50	0.02	20.30	15.10	0.02
		62	32.30	24.80	0.02	28.30	22.80	0.02	24.00	20.60	0.02	19.30	18.30	0.03	15.90	15.90	0.12
	1000	72	53.80	26.20	0.00	49.90	24.40	0.01	45.40	22.40	0.02	40.30	20.20	0.03	34.30	17.80	0.03
		67	45.70	28.40	0.03	41.60	26.40	0.04	37.00	24.20	0.04	31.20	21.70	0.04	24.40	18.80	0.04
		62	38.30	30.40	0.04	34.00	28.20	0.04	29.00	25.80	0.04	23.80	23.20	0.06	20.00	20.00	0.16
	1250	72	59.80	29.30	0.03	55.50	27.40	0.04	50.60	25.30	0.04	44.80	22.90	0.05	38.40	20.40	0.05
		67	50.90	32.30	0.06	46.40	30.20	0.06	41.30	27.80	0.06	35.40	25.30	0.06	27.90	22.20	0.06
		62	42.70	35.10	0.06	38.30	32.90	0.06	33.10	30.30	0.07	27.70	27.50	0.09	23.70	23.70	0.21
3617 3621 T3617	900	72	53.50	26.00	0.00	49.50	24.10	0.00	45.10	22.10	0.01	40.00	19.90	0.02	33.80	17.40	0.02
		67	45.40	27.90	0.03	41.30	25.90	0.03	36.60	23.70	0.03	30.70	21.10	0.03	24.00	18.30	0.03
		62	37.90	29.70	0.03	33.50	27.40	0.03	28.50	24.90	0.03	23.20	22.30	0.05	19.30	19.30	0.15
	1200	72	61.60	30.10	0.02	57.20	28.20	0.03	52.10	26.00	0.04	46.20	23.50	0.04	39.60	20.90	0.05
		67	52.40	33.10	0.05	47.80	30.90	0.05	42.50	28.50	0.05	36.30	25.80	0.06	28.60	22.60	0.06
		62	44.00	35.90	0.06	39.40	33.60	0.06	34.00	30.90	0.06	28.30	28.00	0.08	24.10	24.10	0.20
	1500	72	67.50	33.40	0.06	62.90	31.40	0.06	57.40	29.10	0.07	50.80	26.50	0.07	43.60	23.70	0.08
		67	57.70	37.40	0.08	52.70	35.10	0.08	46.90	32.60	0.08	40.30	29.80	0.08	32.20	26.50	0.09
		62	48.60	41.20	0.08	43.70	38.80	0.09	38.30	36.10	0.09	32.90	32.90	0.13	28.30	28.30	0.25
4221 4224 T4221	1050	72	67.70	32.90	0.00	62.50	30.40	0.00	56.50	27.60	0.00	49.70	24.70	0.02	42.30	21.60	0.02
		67	57.10	35.00	0.03	51.70	32.20	0.03	45.60	29.30	0.03	38.80	26.20	0.03	30.30	22.60	0.03
		62	47.40	36.80	0.03	41.90	33.90	0.03	35.70	30.80	0.03	28.90	27.50	0.04	23.80	23.80	0.13
	1400	72	79.00	38.50	0.00	73.10	35.80	0.02	66.20	32.80	0.04	58.30	29.40	0.04	49.30	25.90	0.05
		67	66.90	41.80	0.05	60.70	38.70	0.05	53.50	35.40	0.06	45.50	31.90	0.06	36.30	28.10	0.06
		62	55.70	44.70	0.06	49.40	41.50	0.06	42.60	38.10	0.06	35.40	34.50	0.08	29.90	29.90	0.18
	1750	72	87.40	42.90	0.04	81.00	40.10	0.06	73.60	37.00	0.07	64.90	33.40	0.07	54.80	29.50	0.08
		67	74.30	47.40	0.08	67.60	44.20	0.08	59.70	40.60	0.08	50.60	36.70	0.08	40.90	32.80	0.09
		62	62.20	51.40	0.09	55.30	48.10	0.09	47.90	44.50	0.09	40.70	40.70	0.11	35.20	35.20	0.23
4821 4824 T4821	1200	72	72.40	35.20	0.00	67.30	32.70	0.00	61.20	30.00	0.00	54.20	27.00	0.01	46.30	23.70	0.02
		67	61.40	37.70	0.02	55.90	35.00	0.02	49.50	32.00	0.02	42.40	28.80	0.02	34.10	25.20	0.03
		62	51.20	40.00	0.03	45.50	37.00	0.03	39.20	33.90	0.03	32.20	30.50	0.03	26.70	26.70	0.12
	1600	72	83.80	41.00	0.00	78.00	38.40	0.02	71.30	35.40	0.03	63.30	32.10	0.03	54.00	28.50	0.04
		67	71.40	44.90	0.04	65.20	42.00	0.04	58.00	38.70	0.05	49.50	35.00	0.05	40.30	31.20	0.05
		62	59.80	48.50	0.05	53.40	45.30	0.05	46.30	41.90	0.05	39.00	38.30	0.07	33.40	33.40	0.17
	2000	72	92.10	45.50	0.04	86.00	42.90	0.05	78.70	39.80	0.05	70.10	36.40	0.06	60.00	32.50	0.06
		67	78.70	50.90	0.07	72.10	47.80	0.07	64.30	44.40	0.07	55.10	40.40	0.07	44.90	36.30	0.07
		62	66.30	55.90	0.07	59.60	52.60	0.07	52.10	48.90	0.08	44.90	44.90	0.11	39.20	39.20	0.22
6024 T6024	1600	72	93.60	45.40	0.00	86.30	41.90	0.00	77.90	38.00	0.00	68.30	33.80	0.01	58.00	29.60	0.02
		67	78.90	48.10	0.02	71.20	44.20	0.02	62.70	40.10	0.02	53.20	35.70	0.03	41.70	30.80	0.03
		62	65.40	50.40	0.03	57.70	46.30	0.03	49.20	42.00	0.03	39.60	37.40	0.04	32.50	32.50	0.12
	2000	72	106.40	51.70	0.00	98.20	47.90	0.00	88.80	43.70	0.02	78.00	39.10	0.03	65.80	34.10	0.03
		67	89.90	55.50	0.04	81.30	51.30	0.04	71.50	46.70	0.04	60.60	41.80	0.04	48.30	36.60	0.04
		62	74.70	58.90	0.04	65.90	54.40	0.04	56.60	49.70	0.05	46.50	44.80	0.06	38.90	38.90	0.16
	2400	72	116.60	57.00	0.00	107.90	53.00	0.03	97.70	48.50	0.04	85.90	43.60	0.05	72.30	38.20	0.05
		67	98.90	61.90	0.06	89.60	57.50	0.06	78.90	52.50	0.06	66.60	47.20	0.06	53.70	41.80	0.06
		62	82.30	66.40	0.06	72.90	61.70	0.06	62.70	56.70	0.07	52.60	51.60	0.08	44.70	44.70	0.19

See notes on page 8.

CNPVP / CNRVP / CNPVP / CNRVU

- CFM** — Cubic Ft. per Minute
- EWB** — Entering Wet Bulb (°F)
- LWB** — Leaving Wet Bulb (°F)
- TC** — Total Cooling Capacity 1000 Btuh
- BF** — Bypass Factor
- MBH** — 1000 Btuh
- SHC** — Sensible Heat Capacities (1000 Btuh)

NOTES:

1. Contact manufacturer for cooling capacities at conditions other than shown in table.
2. Formulas:
 Leaving db = entering db - $\frac{\text{sensible heat cap.}}{1.09 \times \text{CFM}}$

 Leaving wb = wb corresponding to enthalpy of air leaving coil (h_{LWB})

 $h_{LWB} = h_{EWB} - \frac{\text{total capacity (Btuh)}}{4.5 \times \text{CFM}}$

 Where h_{EWB} = enthalpy of air entering coil
3. SHC is based on 80°F db temperature of air entering the evaporator coil.
 Below 80°F db, subtract (Correction Factor x CFM) from SHC.
 Above 80°F db, add (Correction Factor x CFM) to SHC.
4. Direct interpolation is permissible. Do not extrapolate.
5. Fan motor heat has not been deducted.
6. All data points are based on 10°F superheat leaving coil and use of thermostatic expansion valve (TXV) device.
7. All units have sweat suction-tube connection and a liquid-tube connection. For 1-1/8-in. system suction tube, 3/4 x 1-1/8-in. suction tube connection adapter is available as accessory.
8. The CNPVP and CNPVU coils can be used in any properly designed system using Puron® refrigerant.
9. The CNRVP and CNRVU coils can be used in any properly designed system using R-22 refrigerant.
10. Before using maximum cfm shown in table, check coil static pressure drop to ensure system blower can provide necessary static pressure needed for coil and duct systems.
11. Bypass Factor = 0 indicates no psychometric solution. Use bypass factor of next lower EWB for approximation.

BYPASS FACTOR	ENTERING AIR DRY BULB TEMPERATURE (°F)					
	79	78	77	76	75	Under 75
	81	82	83	84	84	Above 85
Correction Factor						
0.10	0.98	1.96	2.94	3.92	4.91	Use formula shown below
0.20	0.87	1.74	2.62	3.49	4.36	
0.30	0.76	1.53	2.29	3.05	3.82	

Interpolation is permissible.

Correction Factor = $1.09 \times (1 - BF) \times (db - 80)$

COIL STATIC PRESSURE DROP (IN. WC.)

Puron and R-22

UNIT SIZE	Standard CFM																		
	400	500	600	700	800	900	1000	1100	1200	1300	1400	1500	1600	1700	1800	1900	2000	2100	2200
1814	Dry																		
	0.078	0.114	0.156	0.198	0.253														
	Wet																		
2414	Dry																		
	0.070	0.103	0.143	0.182	0.233	0.290	0.354												
	Wet																		
2417	Dry																		
	0.048	0.068	0.090	0.112	0.140	0.170	0.203												
	Wet																		
3014	Dry																		
	0.065	0.097	0.135	0.173	0.223	0.278	0.339	0.405	0.478										
	Wet																		
3017	Dry																		
	0.042	0.060	0.080	0.102	0.128	0.157	0.188	0.222	0.259										
	Wet																		
3617 T3617	Dry																		
	0.043	0.061	0.082	0.103	0.128	0.157	0.189	0.221	0.259	0.299	0.341								
	Wet																		
3621	Dry																		
	0.035	0.048	0.062	0.076	0.093	0.111	0.132	0.153	0.177	0.201	0.228								
	Wet																		
4221 T4221	Dry																		
	0.030	0.041	0.054	0.066	0.082	0.099	0.118	0.137	0.158	0.180	0.205	0.231	0.259						
	Wet																		
4821 T4821	Dry																		
			0.047	0.060	0.075	0.092	0.110	0.130	0.152	0.176	0.204	0.230	0.256	0.284	0.318				
	Wet																		
4824	Dry																		
			0.015	0.046	0.057	0.069	0.094	0.019	0.119	0.124	0.140	0.158	0.175	0.195	0.214				
	Wet																		
6024 T6024	Dry																		
					0.062	0.073	0.084	0.097	0.111	0.126	0.138	0.154	0.172	0.190	0.210	0.228	0.251	0.273	0.293
	Wet																		
				0.082	0.096	0.112	0.129	0.145	0.163	0.171	0.191	0.212	0.235	0.258	0.283	0.310	0.336	0.366	

CNPVP / CNRVP / CNPVP / CNRVU

EMPTY COIL CASING ACCESSORY FOR UNCASSED N-COIL

ACCESSORY PART NUMBER	NOMINAL COIL SIZES	DIMENSIONS (IN.)		
		HEIGHT	WIDTH	DEPTH
KCAKC2612ECC	CN(P,R)VU1814, 2414, 3014	17	14-3/16	20-1/2
KCAKC2712ECC	CN(P,R)VU3617	17	17-1/2	20-1/2
KCAKC2808ECC	CN(P,R)VU4221, 4821	22-1/16	21	20-1/2
KCAKC2904ECC	CN(P,R)VU6024	26-5/16	24-1/2	20-1/2